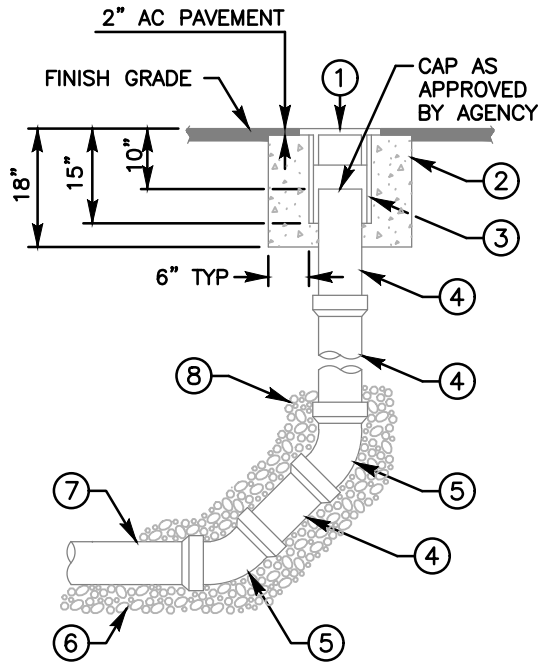


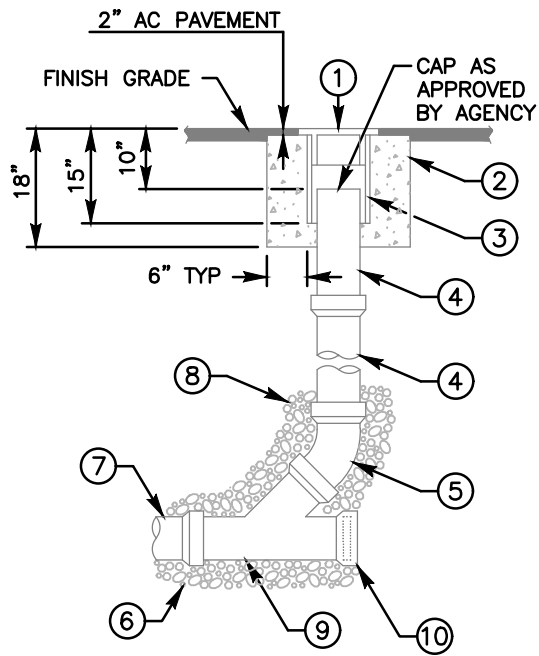
SEWERAGE SYSTEMS

SEWERAGE SYSTEMS

S



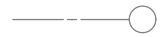
TYPE A
MAINS FOR 6" AND 8"



TYPE B
SEWER LATERAL
CLEANOUT

NOTES:

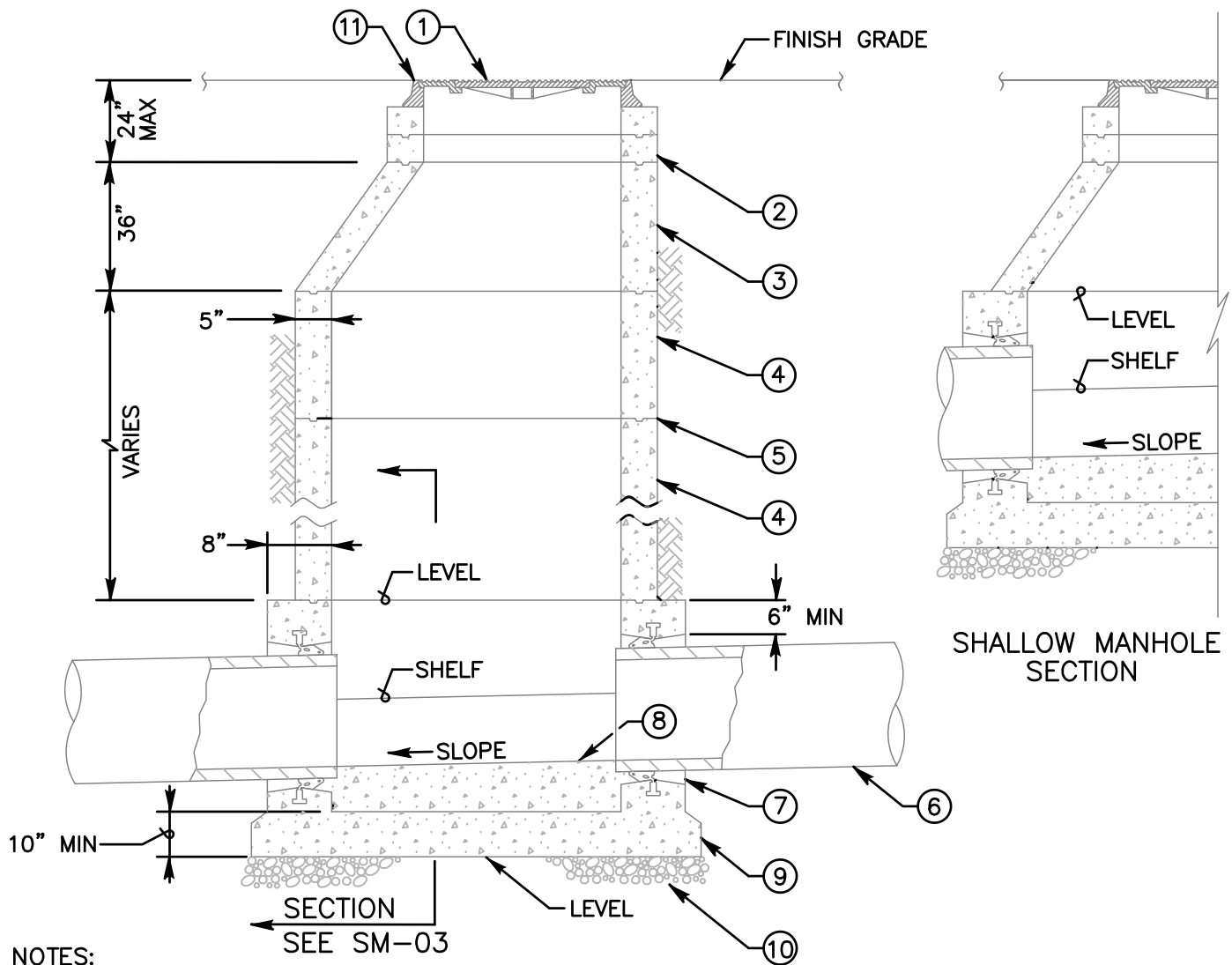
- 1) REFER TO AGENCY SPECIFICATIONS WHERE APPLICABLE
- 2) CLEANOUTS TO BE INSTALLED AT THE END OF MAINS WHERE INDICATED ON THE PLANS
- 3) CLEANOUT PIPE TO BE SAME SIZE AND MATERIAL AS SEWER MAIN UP TO 8"
- 4) BACKFILL TO TOP OF 45° BEND WITH 3/4" CRUSHED ROCK
- 5) MATERIALS SHALL BE SELECTED FROM THE AGENCY'S APPROVED MATERIALS LIST



LEGEND ON PLANS

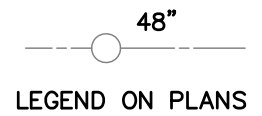
ITEM NO	SIZE AND DESCRIPTION	ITEM NO	SIZE AND DESCRIPTION
①	12" CI CLEANOUT BOX COVER MARKED 'SEWER' AND AGENCY NAME AS REQUIRED	⑤	45° ELBOW
②	CONCRETE RING	⑥	3/4" CRUSHED ROCK PIPE BEDDING
③	12" PVC, C-900 x 15" LONG (CLEANOUT BOX)	⑦	SEWER MAIN
④	SIZE x REQUIRED LENGTH PVC PIPE	⑧	3/4" CRUSHED ROCK SEE NOTE 4
		⑨	STANDARD WYE BRANCH
		⑩	INSTALL PLUG AND CONCRETE LUG

Revision	By	Approved	Date	SAN DIEGO REGIONAL STANDARD DRAWING	SEWER CLEANOUT	RECOMMENDED BY THE SAN DIEGO REGIONAL STANDARDS COMMITTEE	
ORIGINAL		Kercheval	12/75			<i>Samsin Engeda</i> 03/24/2022	
Reviewed	BK	B. KNOLL	04/15				Chairperson R.C.E. 52241 Date
Reviewed	BK	B. KNOLL	10/18				DRAWING NUMBER SC-01
Reviewed	RP	S. Engeda	03/22				



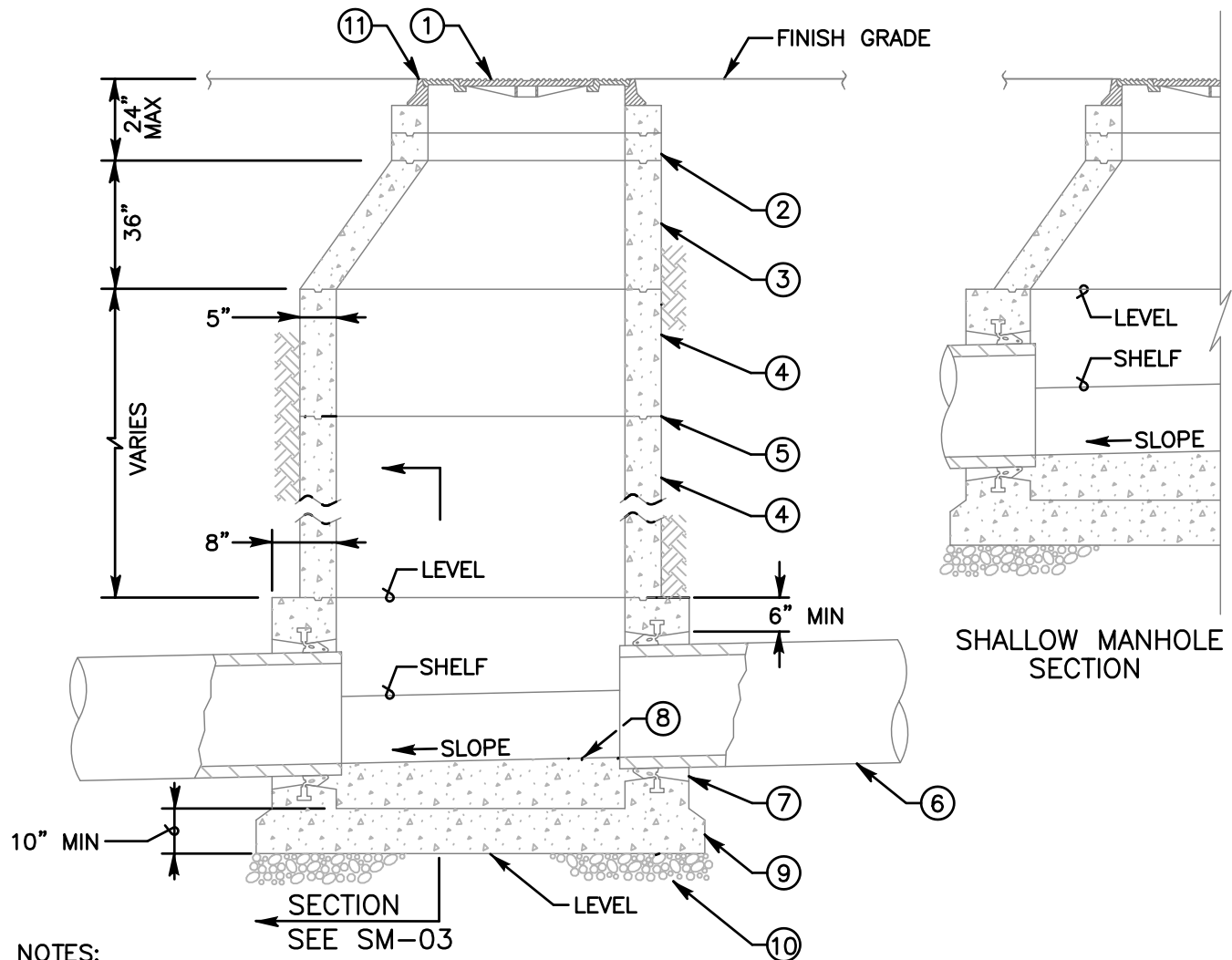
NOTES:

- 1) REFER TO AGENCY SPECIFICATIONS WHERE APPLICABLE
- 2) VERTICAL WALL OF CONE TO BE ON THE UPSTREAM SIDE OF MANHOLE SEE SM-05 FOR ACCESS LOCATIONS
- 3) FOR MANHOLE BASES SEE SM-03
- 4) MANHOLES FOR MAINS 18" AND LARGER SHALL BE COATED AND LINED PER SM-07
- 5) MATERIALS SHALL BE SELECTED FROM THE AGENCY'S APPROVED MATERIALS LIST



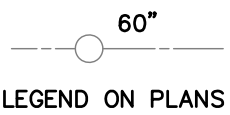
ITEM NO	SIZE AND DESCRIPTION	ITEM NO	SIZE AND DESCRIPTION
①	36" MANHOLE FRAME AND TWO CONCENTRIC COVERS SEE S.D.R.S.D. M-3	⑦	MANHOLE PIPE CONNECTOR SEE SM-04
②	36" DIA GRADE RING(S) 6" TO 18" HIGH	⑧	FIELD INSTALLED INVERT SEE SM-04
③	ECCENTRIC CONE SEE NOTE 2	⑨	CONCRETE BASE, PRECAST OR CAST IN PLACE
④	48" DIA RING(S) VARIABLE HEIGHT	⑩	6" OF 3/4" CRUSHED ROCK
⑤	WATER TIGHT JOINTS SEE SM-05	⑪	MANHOLE DETAIL SEE SM-05
⑥	SEWER MAIN		

Revision	By	Approved	Date	SAN DIEGO REGIONAL STANDARD DRAWING	RECOMMENDED BY THE SAN DIEGO REGIONAL STANDARDS COMMITTEE
ORIGINAL		Kercheval	12/75		
Reviewed	BK	B. KNOLL	04/15	48" DIAMETER PRECAST MANHOLE INSTALLATION	<i>Samsan Engeda</i> 03/24/2022
Reviewed	BK	B. KNOLL	10/18		Chairperson R.C.E. 52241 Date
Reviewed	RP	S. Engeda	03/22		DRAWING NUMBER SM-01



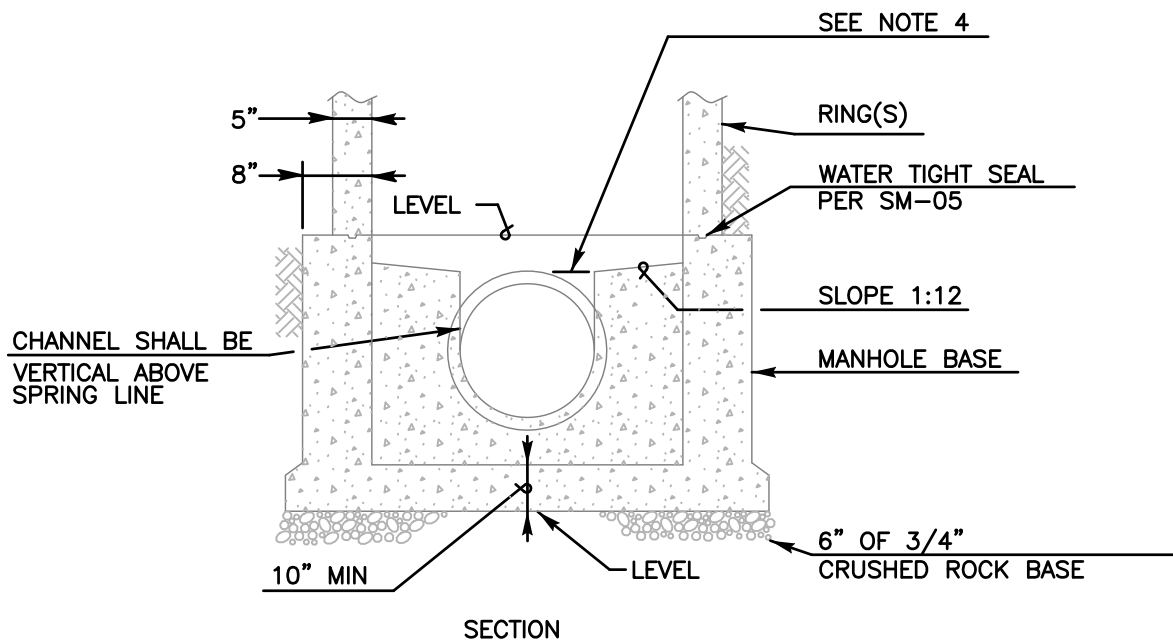
NOTES:

- 1) REFER TO AGENCY SPECIFICATIONS WHERE APPLICABLE
- 2) VERTICAL WALL OF CONE TO BE ON THE UPSTREAM SIDE OF MANHOLE SEE SM-05 FOR ACCESS LOCATIONS
- 3) FOR MANHOLE BASES SEE SM-03
- 4) MANHOLES FOR MAINS 18" AND LARGER SHALL BE COATED AND LINED PER SM-07
- 5) MATERIALS SHALL BE SELECTED FROM THE AGENCY'S APPROVED MATERIALS LIST




ITEM NO	SIZE AND DESCRIPTION	ITEM NO	SIZE AND DESCRIPTION
①	36" MANHOLE FRAME AND TWO CONCENTRIC COVERS SEE S.D.R.S.D. M-3	⑦	MANHOLE PIPE CONNECTOR SEE SM-04
②	36" DIA GRADE RING(S) 6" TO 18" HIGH	⑧	FIELD INSTALLED INVERT SEE SM-04
③	ECCENTRIC CONE SEE NOTE 2	⑨	CONCRETE BASE, PRECAST OR CAST IN PLACE
④	60" DIA RING(S) VARIABLE HEIGHT	⑩	6" OF 3/4" CRUSHED ROCK
⑤	WATER TIGHT JOINTS SEE SM-05	⑪	MANHOLE DETAIL SEE SM-05
⑥	SEWER MAIN		

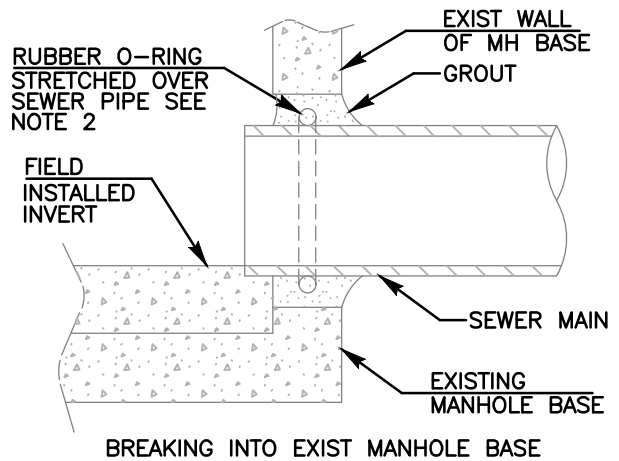
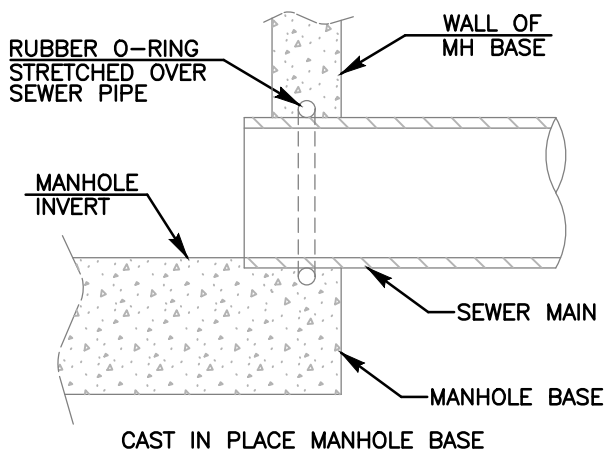
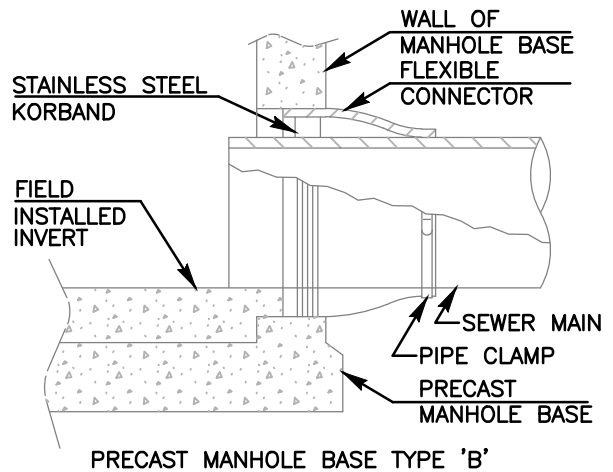
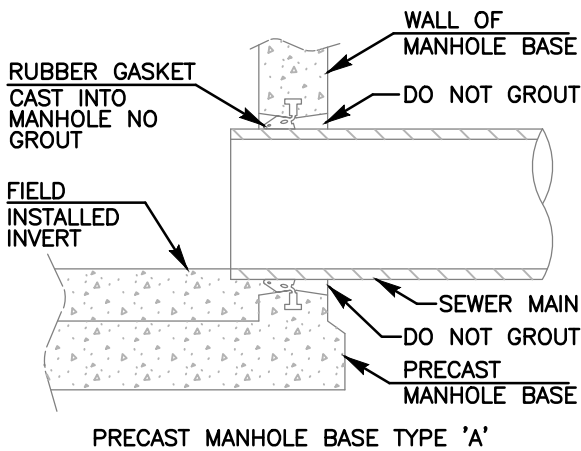
Revision	By	Approved	Date	SAN DIEGO REGIONAL STANDARD DRAWING	RECOMMENDED BY THE SAN DIEGO REGIONAL STANDARDS COMMITTEE
ORIGINAL		Kercheval	12/75		
Reviewed	BK	B. KNOLL	04/15	60" DIAMETER PRECAST MANHOLE INSTALLATION	 03/24/2022 Chairperson R.C.E. 52241 Date
Reviewed	BK	B. KNOLL	10/18		
Reviewed	RP	S. Engeda	03/22		
					DRAWING NUMBER SM-02



NOTES:

- 1) REFER TO AGENCY SPECIFICATIONS WHERE APPLICABLE
- 2) FOR MANHOLE INSTALLATIONS SEE SM-01 AND SM-02
- 3) MANHOLE BASES FOR MAINS 18" AND LARGER SHALL BE COATED PER SM-07
- 4) LOWEST POINT ON SHELF SHALL BE EVEN WITH TOP OF PIPE
- 5) MATERIALS SHALL BE SELECTED FROM THE AGENCY'S APPROVED MATERIALS LIST

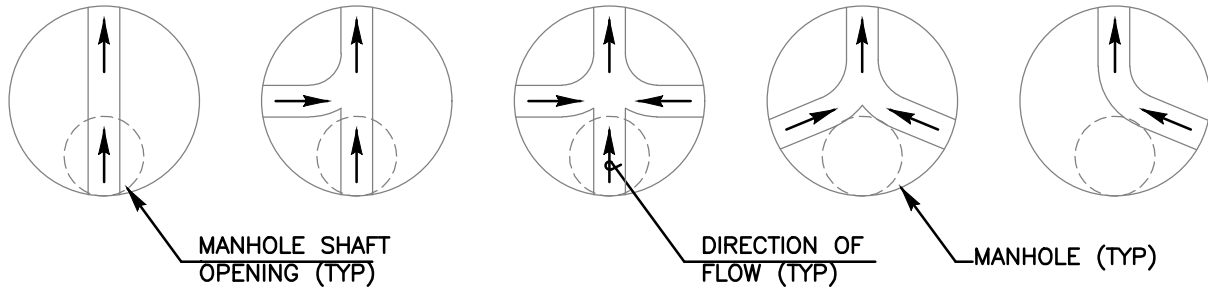
Revision	By	Approved	Date	SAN DIEGO REGIONAL STANDARD DRAWING		RECOMMENDED BY THE SAN DIEGO REGIONAL STANDARDS COMMITTEE
ORIGINAL		Kercheval	12/75	SEWER MANHOLE BASE		 03/24/2022 Chairperson R.C.E. 52241 Date
Reviewed	BK	B. KNOLL	04/15			
Reviewed	BK	B. KNOLL	10/18			
Reviewed	RP	S. Engeda	03/22			DRAWING NUMBER



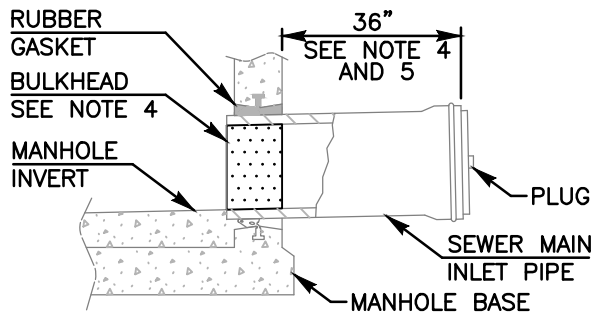
NOTES:

- 1) REFER TO AGENCY SPECIFICATIONS WHERE APPLICABLE
- 2) A RUBBER O-RING OR A FLEXIBLE CONNECTOR (AS SHOWN IN PRECAST MANHOLE BASE TYPE 'B') CAN BE USED WHEN BREAKING INTO EXISTING MANHOLE
- 3) FOR MANHOLES REQUIRING COATING AND LINING SEE SM-07
- 4) MATERIALS SHALL BE SELECTED FROM THE AGENCY'S APPROVED MATERIALS LIST

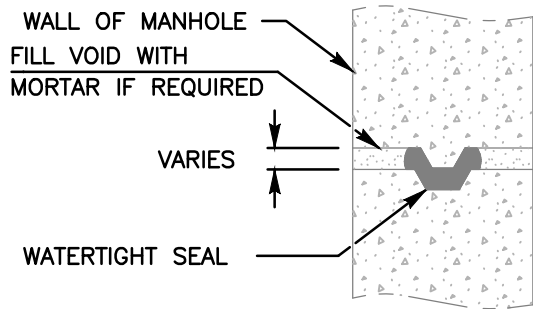
Revision	By	Approved	Date	SAN DIEGO REGIONAL STANDARD DRAWING		RECOMMENDED BY THE SAN DIEGO REGIONAL STANDARDS COMMITTEE
ORIGINAL		Kercheval	12/75	MANHOLE PIPE CONNECTORS		<i>Somesh Engeda</i> 03/24/2022 Chairperson R.C.E. 52241 Date
Reviewed	BK	B. KNOLL	04/15			
Reviewed	BK	B. KNOLL	10/18			
Reviewed	RP	S. Engeda	03/22			
						DRAWING NUMBER SM-04



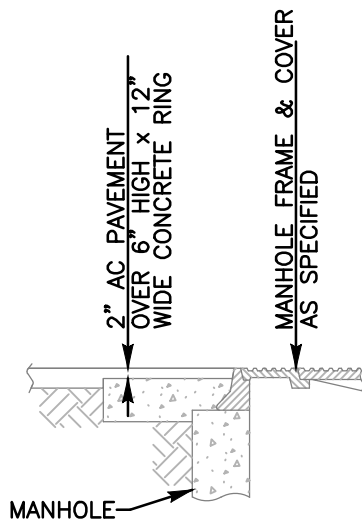
MANHOLE ACCESS LOCATION PLAN VIEW



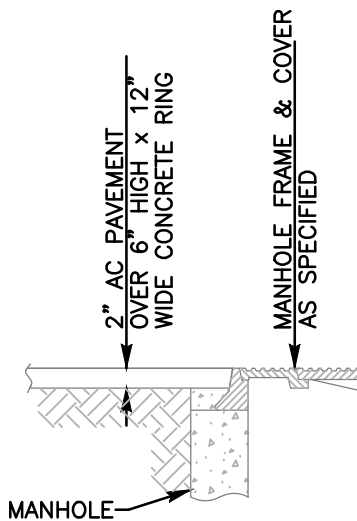
MANHOLE STUB OUT FOR FUTURE CONNECTION



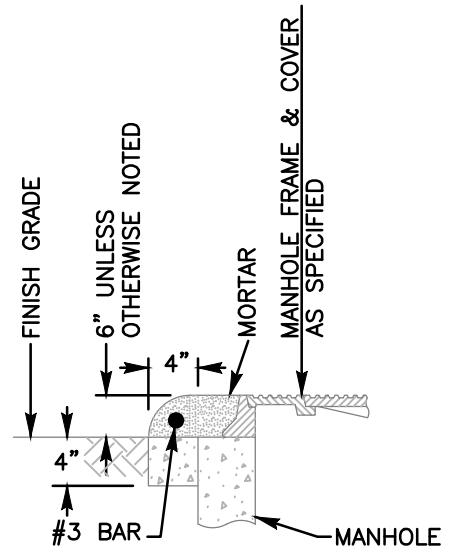
WATERTIGHT MANHOLE JOINT



PAVED AND TRAVELED AREAS
TYPE A



PAVED AND TRAVELED AREAS
TYPE B

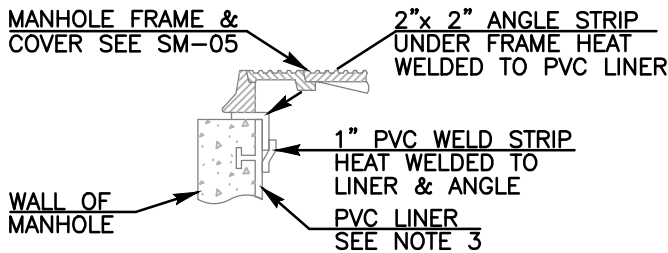
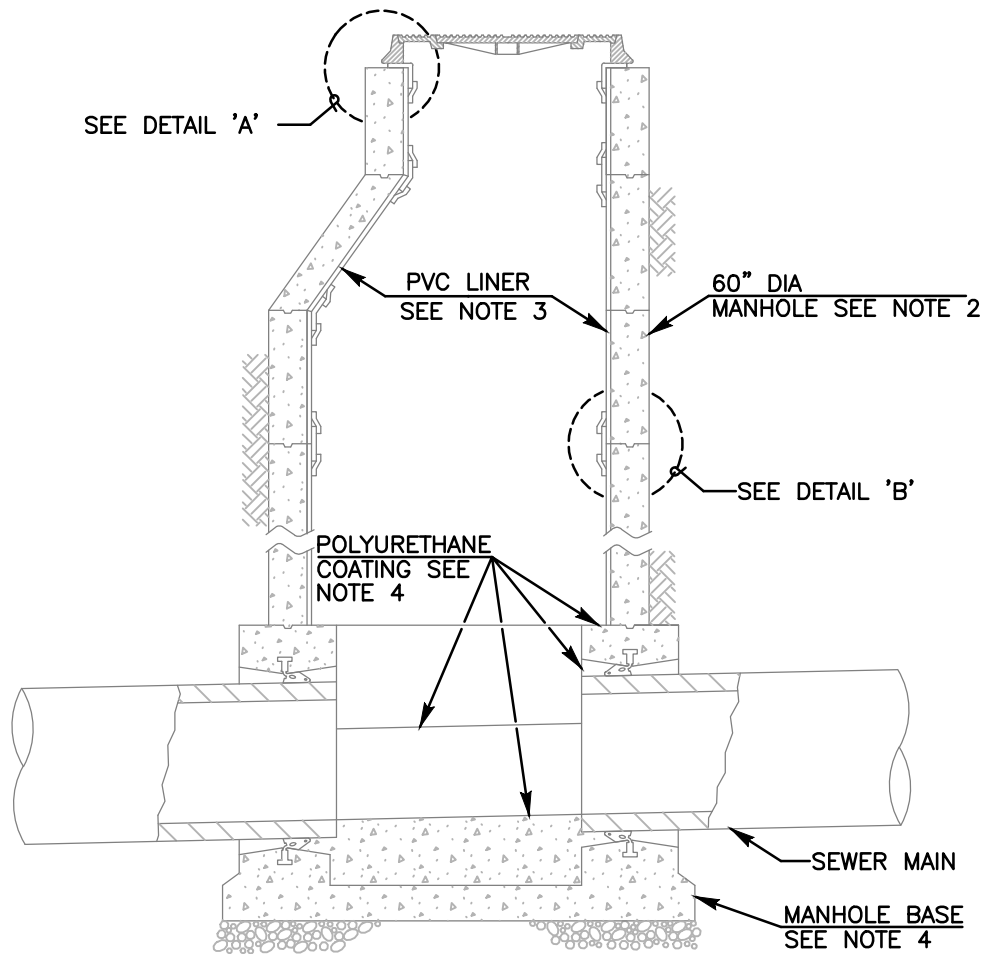


UNPAVED, UNTRAVELED,
SHOULDER AREAS, AREAS
IN EASEMENTS
TYPE C

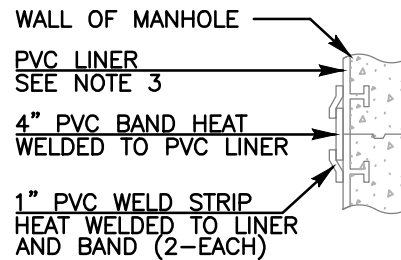
NOTES:

- 1) REFER TO AGENCY SPECIFICATIONS WHERE APPLICABLE
- 2) VERTICAL WALL OF CONE TO BE ON THE UP STREAM SIDE OF MANHOLE
- 3) FOR MANHOLES REQUIRING COATING AND LINING SEE SM-07
- 4) STUBS SHALL BE BULKHEADED AT THE MANHOLE END
- 5) SEWER MAIN TO BE LAID WITH BELLS UP-GRADE
- 6) MATERIALS SHALL BE SELECTED FROM THE AGENCY'S APPROVED MATERIALS LIST

Revision	By	Approved	Date	SAN DIEGO REGIONAL STANDARD DRAWING	RECOMMENDED BY THE SAN DIEGO REGIONAL STANDARDS COMMITTEE
ORIGINAL		Kercheval	12/75		MANHOLE MISCELLANEOUS DETAILS
Reviewed	BK	B. KNOLL	04/15	Chairperson R.C.E. 52241 Date	
Reviewed	BK	B. KNOLL	10/18	DRAWING NUMBER	
Reviewed	RP	S. Engeda	03/22	SM-05	



DETAIL "A" MANHOLE
FRAME & COVER

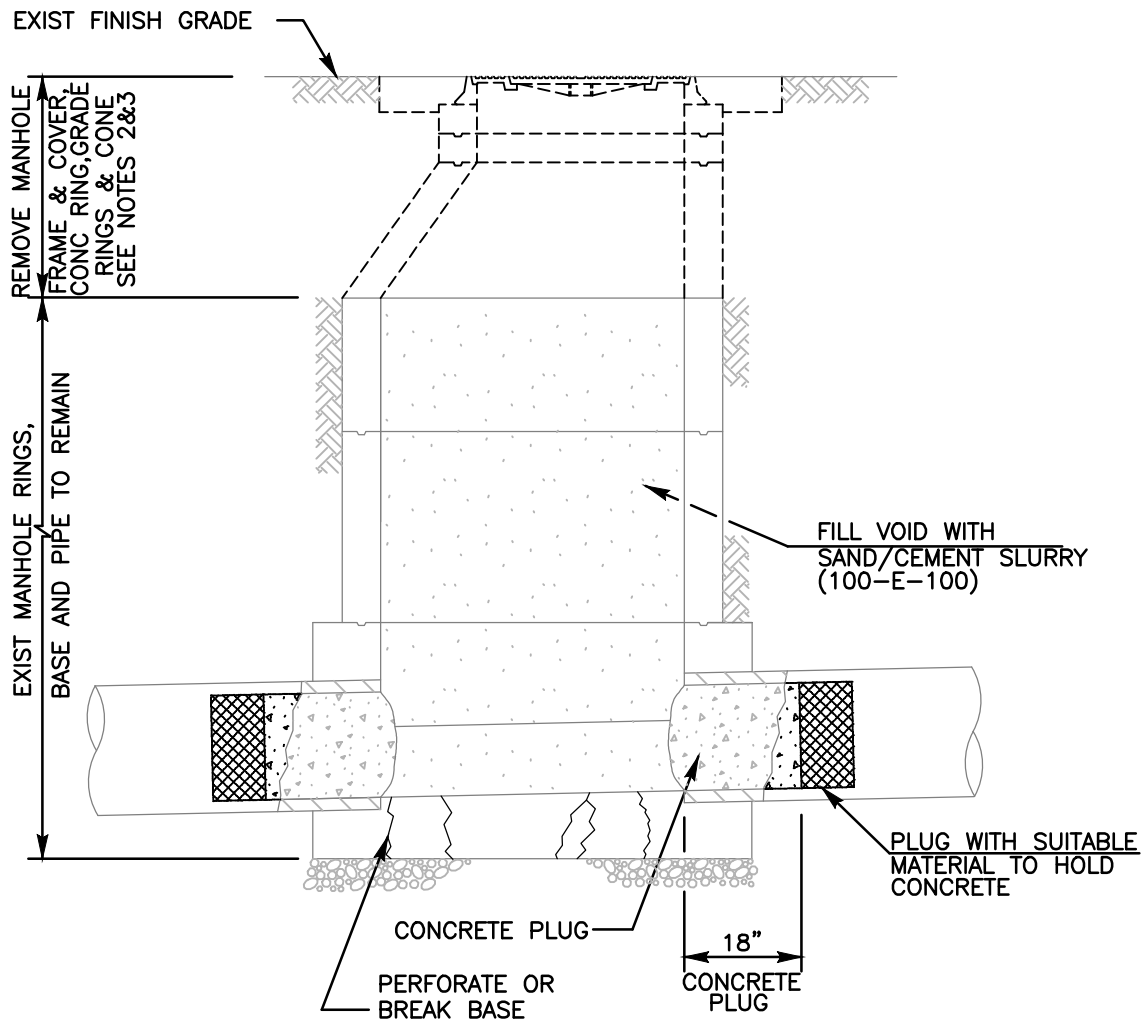


DETAIL "B" MANHOLE
JOINT SECTIONS

NOTES:

- 1) REFER TO AGENCY SPECIFICATIONS WHERE APPLICABLE
- 2) MANHOLES FOR SEWER MAINS 18" AND LARGER SHALL BE COATED AND LINED
- 3) MANHOLE SHAFT AND CONE SECTIONS, AND GRADE RINGS SHALL HAVE A PVC LINER PLACED WITH T-SHAPED SUPPORTS INTEGRALLY CAST INTO THE CONCRETE (OR AGENCY APPROVED EQUAL TO PVC LINER)
- 4) ELASTOMERIC POLYURETHANE COATING SHALL BE APPLIED TO THE INTERIOR OF MANHOLE BASES
- 5) MATERIALS SHALL BE SELECTED FROM THE AGENCY'S APPROVED MATERIALS LIST

Revision	By	Approved	Date	SAN DIEGO REGIONAL STANDARD DRAWING	RECOMMENDED BY THE SAN DIEGO REGIONAL STANDARDS COMMITTEE
ORIGINAL		Kercheval	12/75		MANHOLE COATING AND LINING SYSTEM
Note 3	BK	B. KNOLL	04/15	Chairperson R.C.E. 52241 Date	
Reviewed	BK	B. KNOLL	10/18	DRAWING NUMBER	
Reviewed	RP	S. Engeda	03/22	SM-07	

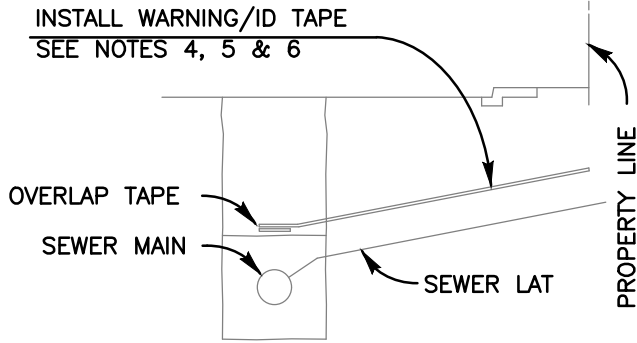


NOTES:

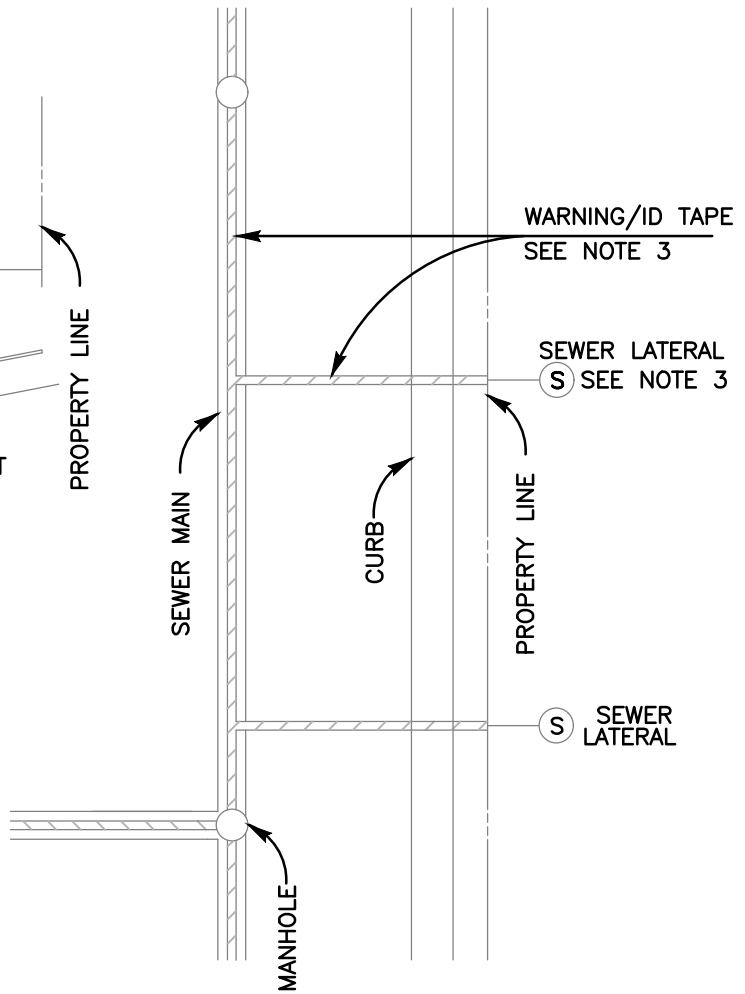
- 1) REFER TO AGENCY SPECIFICATIONS WHERE APPLICABLE
- 2) ALL SALVAGED MATERIAL BECOMES PROPERTY OF AGENCY OF JURISDICTION
- 3) BACKFILL PER AGENCY'S REQUIREMENT
- 4) FOR CUTTING & PLUGGING ABANDONED SEWER MAINS SEE WP-03

—○—
LEGEND ON PLANS

Revision	By	Approved	Date	SAN DIEGO REGIONAL STANDARD DRAWING	RECOMMENDED BY THE SAN DIEGO REGIONAL STANDARDS COMMITTEE
ORIGINAL		Kercheval	12/75	EXISTING MANHOLE ABANDONMENT	<i>Samantha Engeda</i> 03/24/2022 Chairperson R.C.E. 52241 Date
Add Call-out	BK	B. KNOLL	04/15		
Reviewed	BK	B. KNOLL	10/18		
Reviewed	RP	S. Engeda	03/22		
				DRAWING NUMBER	SM-08



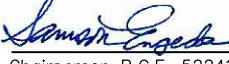
SECTION AT SEWER LATERALS

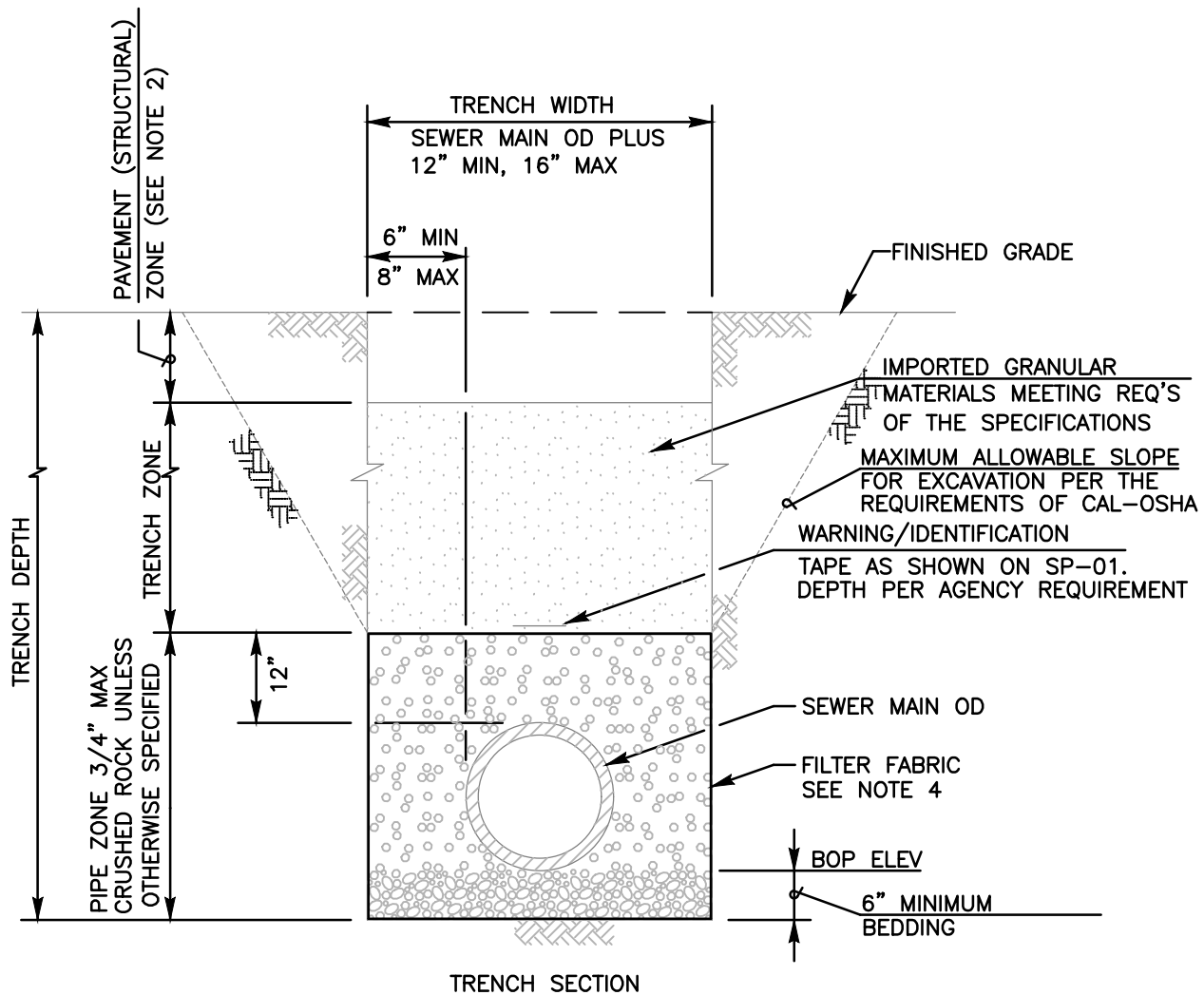


PLAN

NOTES:

- 1) REFER TO AGENCY SPECIFICATIONS WHERE APPLICABLE
- 2) WARNING/IDENTIFICATION TAPE SHALL BE INSTALLED AS SPECIFIED BY AGENCY
- 3) STAMP OR CHISEL A 2" HIGH 'S' IN CURB FACE TO IDENTIFY SEWER LATERAL LOCATION
- 4) FOR SEWER LATERALS EXTEND TAPE TO PROPERTY LINE
- 5) DEPTH OF WARNING/IDENTIFICATION TAPE AS SPECIFIED BY AGENCY
- 6) MATERIALS SHALL BE SELECTED FROM THE AGENCY'S APPROVED MATERIALS LIST

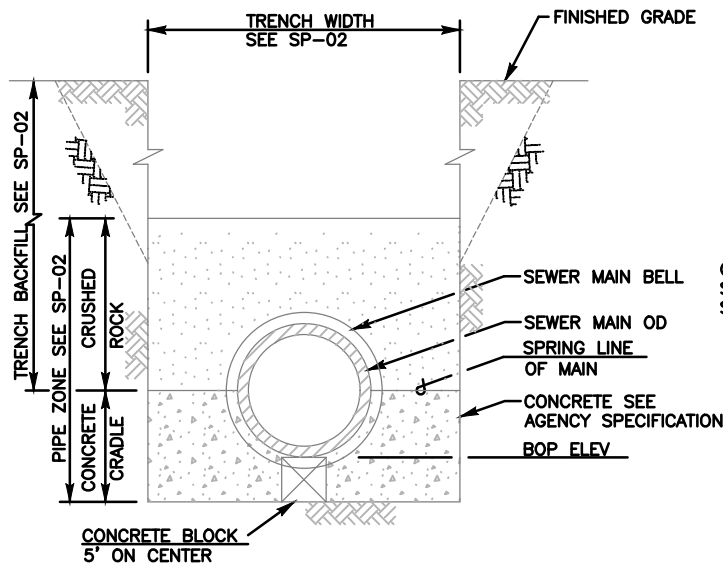
Revision	By	Approved	Date	SAN DIEGO REGIONAL STANDARD DRAWING		RECOMMENDED BY THE SAN DIEGO REGIONAL STANDARDS COMMITTEE
ORIGINAL		Kercheval	12/75	WARNING/IDENTIFICATION TAPE INSTALLATION		 03/24/2022 Chairperson R.C.E. 52241 Date
Reviewed	BK	B. KNOLL	04/15			
Reviewed	BK	B. KNOLL	10/18			
Reviewed	RP	S. Engeda	03/22			
						DRAWING NUMBER SP-01



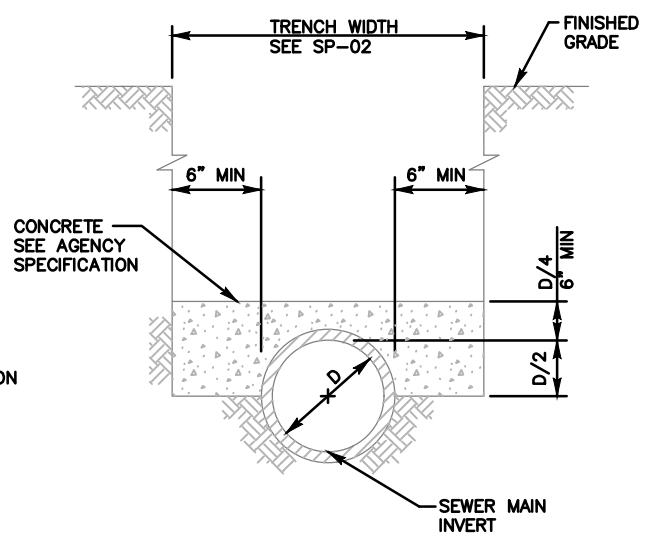
NOTES:

- 1) REFER TO AGENCY SPECIFICATIONS FOR TRENCHING, BACKFILLING AND COMPACTING WHERE APPLICABLE
- 2) PAVING OR PAVEMENT REPAIR TO BE DONE IN ACCORDANCE WITH AGENCY OF JURISDICTION
- 3) EXCAVATE BELL HOLES AT EACH JOINT TO PERMIT PROPER ASSEMBLY AND INSPECTION OF THE ENTIRE JOINT
- 4) FILTER FABRIC AS REQUIRED BY AGENCY OF JURISDICTION (WITH A MINIMUM 12" OVERLAP).

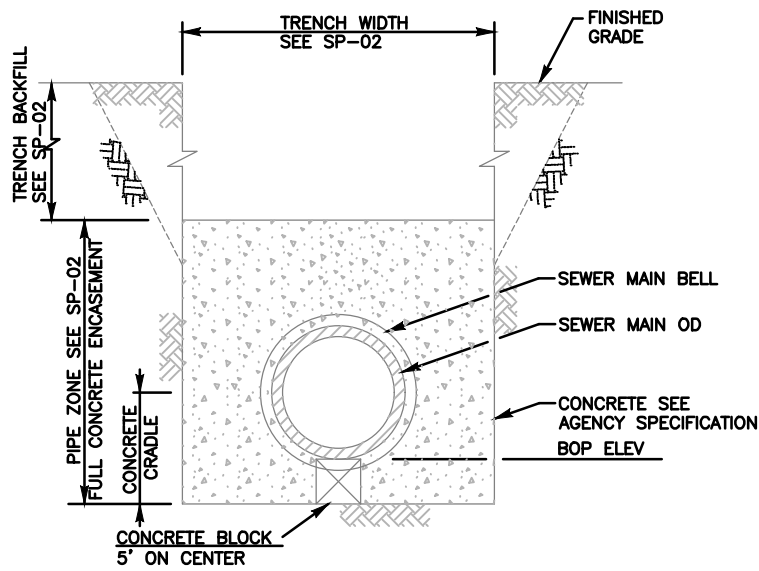
Revision	By	Approved	Date	SAN DIEGO REGIONAL STANDARD DRAWING	RECOMMENDED BY THE SAN DIEGO REGIONAL STANDARDS COMMITTEE	
ORIGINAL		Kercheval	12/75		PIPE BEDDING AND TRENCH BACKFILL FOR SEWER FACILITIES	<i>Samira Engeda</i> 03/24/2022
Reviewed	BK	B. KNOLL	04/15	Chairperson R.C.E. 52241 Date		
Reviewed	BK	B. KNOLL	10/18	DRAWING NUMBER		SP-02
Reviewed	RP	S. Engeda	03/22			



TRENCH SECTION
CONCRETE PIPE CRADLE



TRENCH SECTION
CONCRETE PROTECTION



TRENCH SECTION
CONCRETE PIPE ENCASEMENT

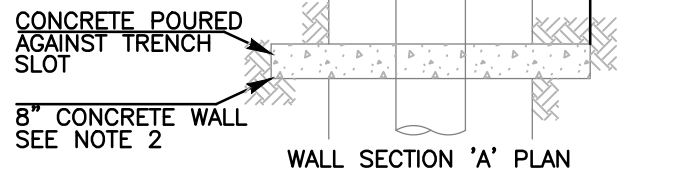
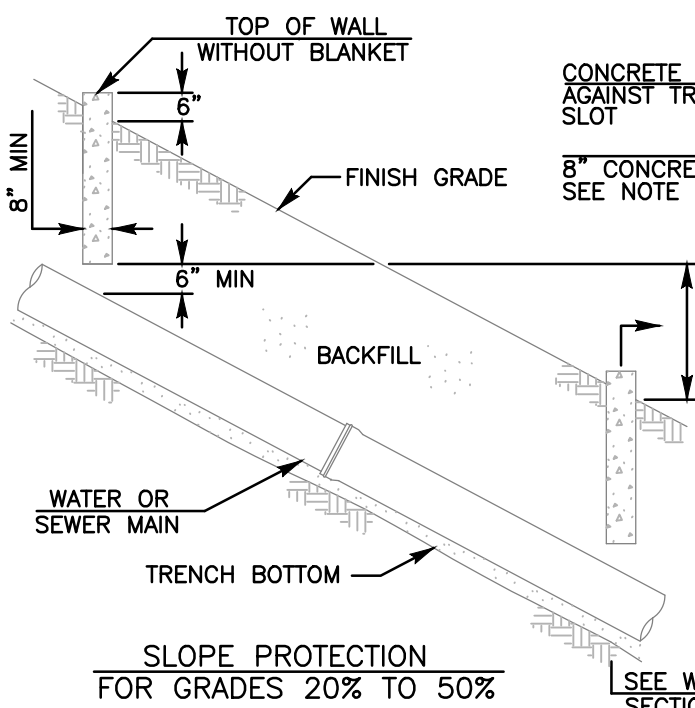
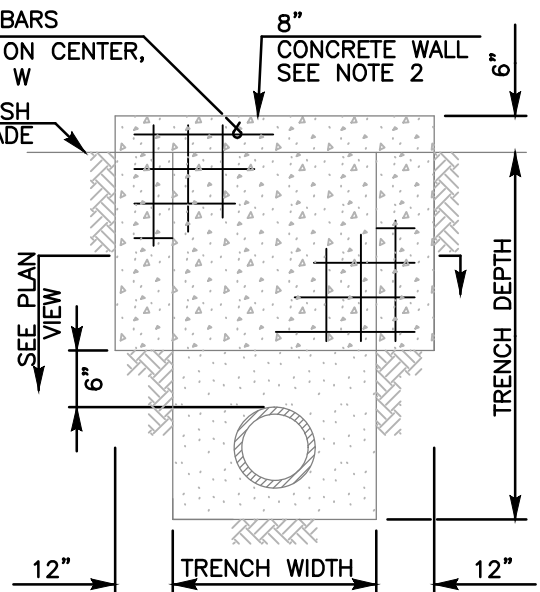
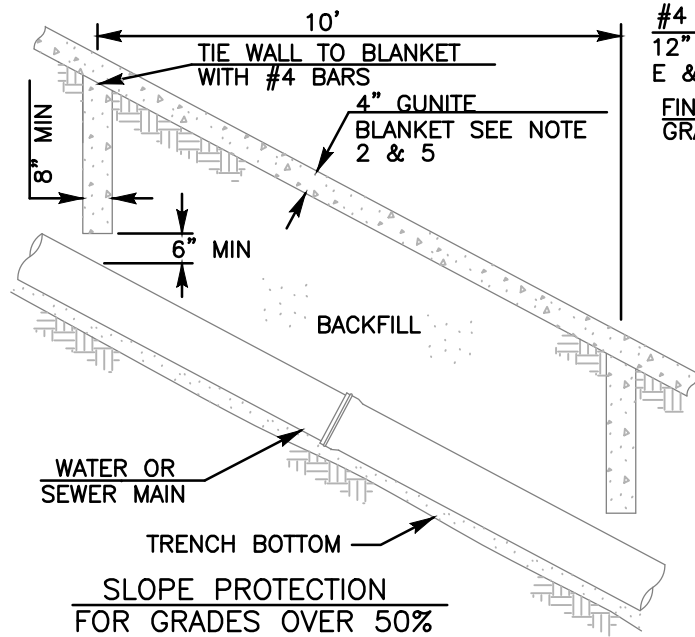
NOTES:

- 1) REFER TO AGENCY SPECIFICATIONS FOR TRENCHING, BACKFILLING AND COMPACTING WHERE APPLICABLE
- 2) CONCRETE CRADLE SHALL BE USED WHEN THE TRENCH WIDTH AT THE UPPER LIMIT OF THE PIPE ZONE EXCEEDS THE MAX WIDTH SPECIFIED ON SP-02 AND OR DIRECTED BY AGENCY'S ENGINEER
- 3) FOR PIPE BEDDING AND TRENCH BACKFILL SEE SP-02



LEGEND ON PLANS

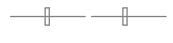
Revision	By	Approved	Date	SAN DIEGO REGIONAL STANDARD DRAWING	RECOMMENDED BY THE SAN DIEGO REGIONAL STANDARDS COMMITTEE	
ORIGINAL		Kercheval	12/75		CONCRETE PROTECTION FOR SEWER PIPE	<i>Susan Engeda</i> 03/24/2022
Reviewed	BK	B. KNOLL	04/15	Chairperson R.C.E. 52241 Date		
Reviewed	BK	B. KNOLL	10/18	DRAWING NUMBER		SP-03
Reviewed	RP	S. Engeda	03/22			



SLOPE PROTECTION FOR GRADES 20% TO 50%

NOTES:

- 1) REFER TO AGENCY SPECIFICATIONS WHERE APPLICABLE
- 2) THE DETAILS SHOWN REPRESENT THE MINIMUM REQUIRED. THE ENGINEER OF WORK IS REQUIRED TO PROVIDE A SUBMITTAL TO THE AGENCY OF JURISDICTION FOR REVIEW AND APPROVAL BY THE AGENCY'S ENGINEER PRIOR TO INSTALLATION
- 3) WALLS SHALL BE REINFORCED CONCRETE OR 8" x 8" x 16" CONCRETE BLOCK, REINFORCED AND ALL CORES FILLED WITH GROUT SEE SPECIFICATIONS
- 4) FOR GRADES OVER 50%, SLOPE PROTECTION SHALL ALSO INCLUDE AC PAVING, CONCRETE SLAB OR GUNITITE BLANKET PLACED OVER THE PIPELINE ALIGNMENT
- 5) 4" GUNITITE BLANKET WITH 6" SQUARE x 10 GAGE WIRE FABRIC AT THE ENGINEERS DISCRETION



LEGEND ON PLANS

Revision	By	Approved	Date
ORIGINAL		J. Tomasulo	03/05
Reviewed	BK	B. KNOLL	04/15
Reviewed	BK	B. KNOLL	10/18
Reviewed	RP	S. Engeda	03/22

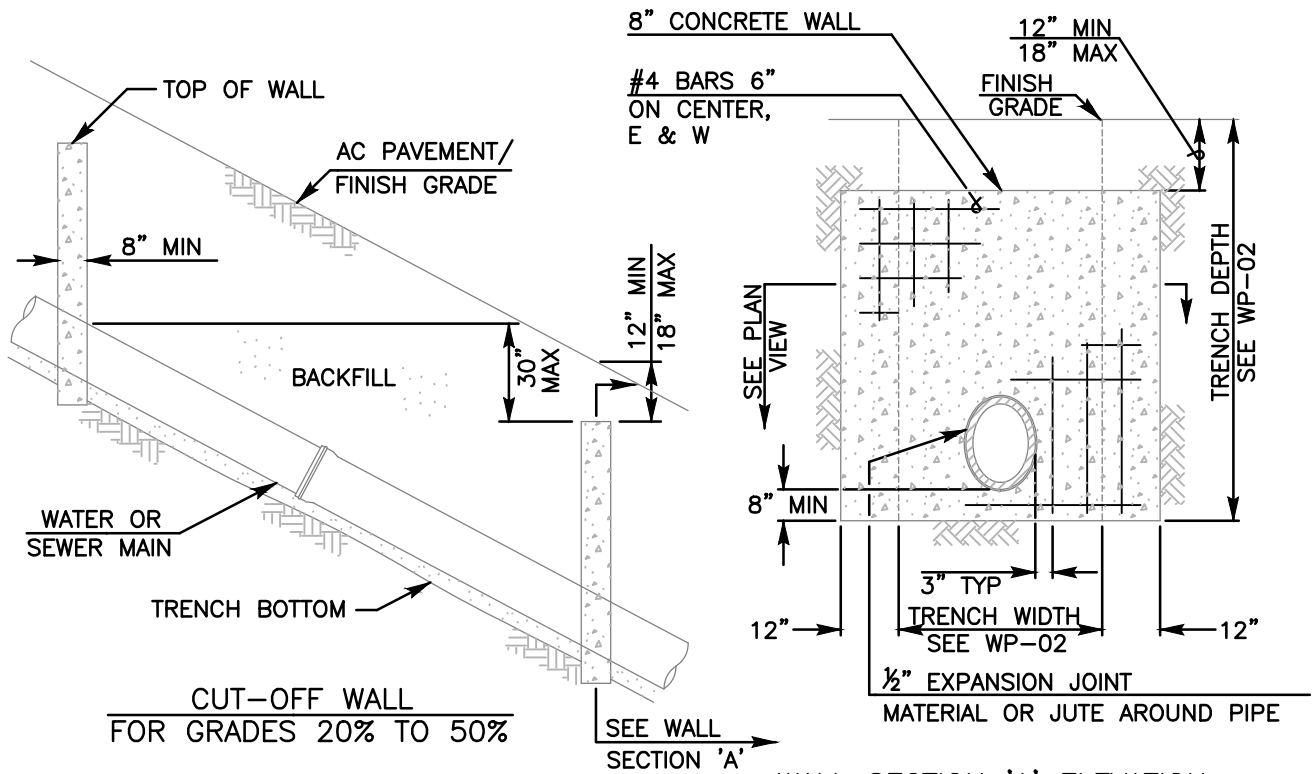
SAN DIEGO REGIONAL STANDARD DRAWING

SLOPE PROTECTION INSTALLATIONS

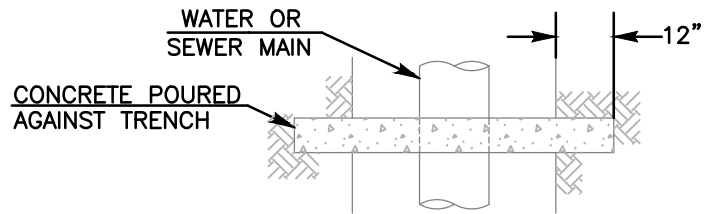
RECOMMENDED BY THE SAN DIEGO REGIONAL STANDARDS COMMITTEE

Somvir Engeda 03/24/2022
Chairperson R.C.E. 52241 Date

DRAWING NUMBER SP-05



WALL SECTION 'A' ELEVATION



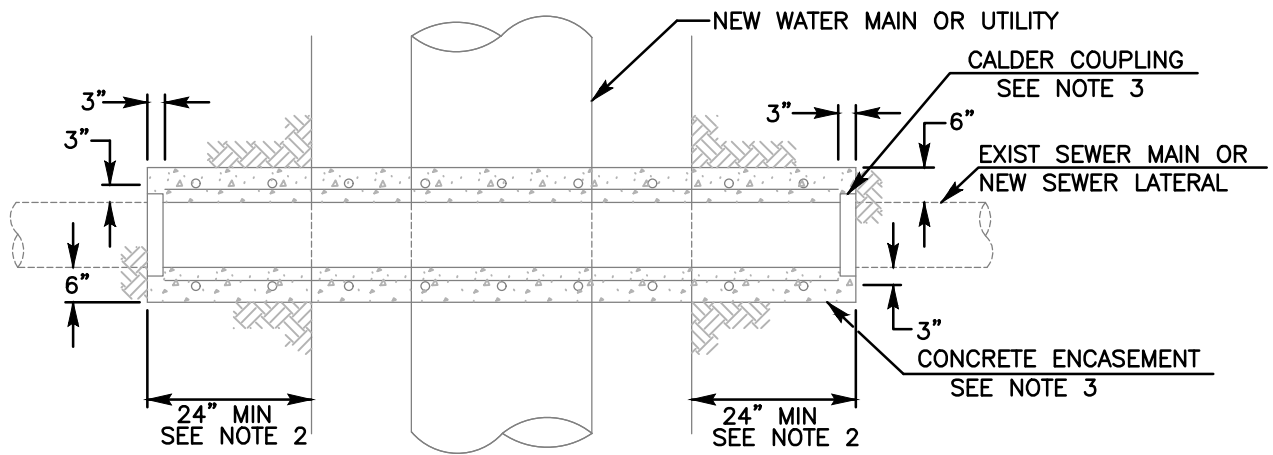
WALL SECTION 'A' PLAN

NOTES:

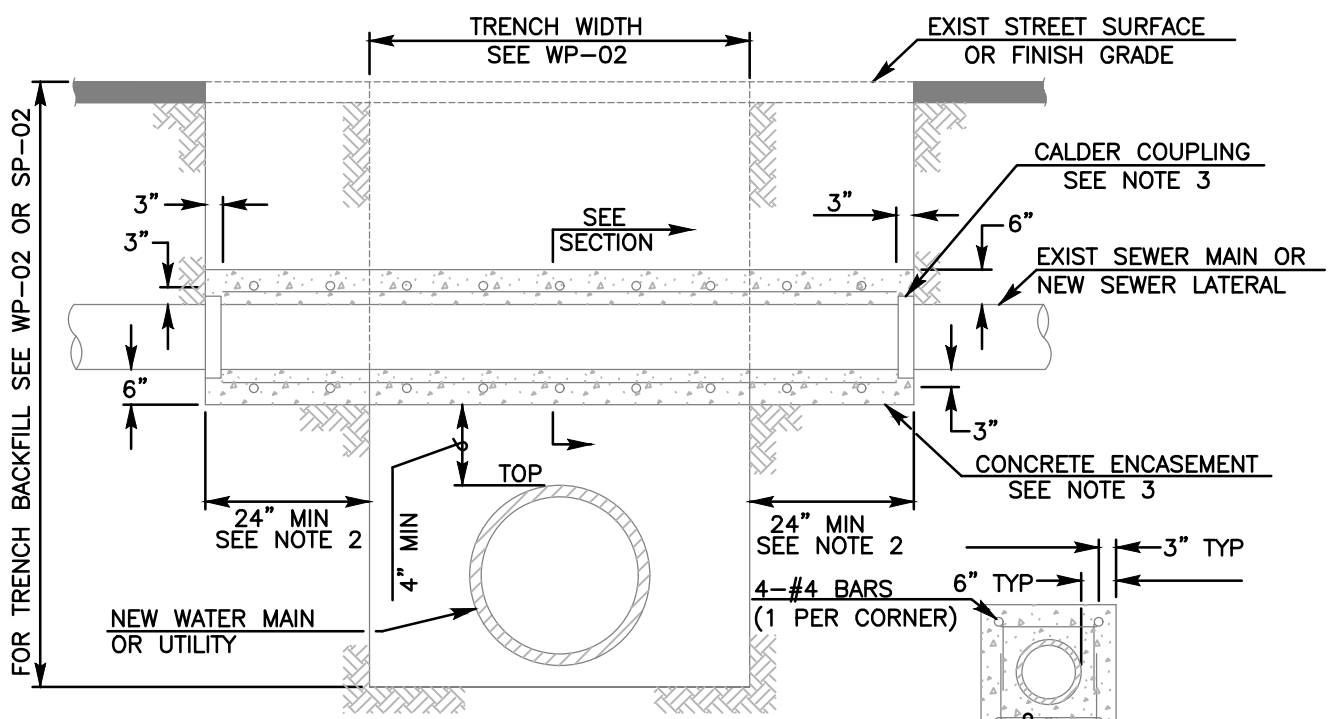
- 1) REFER TO AGENCY SPECIFICATIONS WHERE APPLICABLE
- 2) FOR USE AS TRENCH BACKFILL STABILIZATION IN TRAVELED AREAS
- 3) THE DETAILS SHOWN REPRESENT THE MINIMUM REQUIRED. THE ENGINEER OF WORK IS REQUIRED TO PROVIDE A SUBMITTAL TO THE AGENCY OF JURISDICTION FOR REVIEW AND APPROVAL BY THE AGENCY'S ENGINEER PRIOR TO INSTALLATION
- 4) WALLS SHALL BE REINFORCED CONCRETE OR 8" x 8" x 16" CONCRETE BLOCK, REINFORCED AND ALL CORES FILLED WITH GROUT SEE SPECIFICATIONS (HOR. 2-#4@32", VERT. 1-#4@8")
- 5) FOR GRADES OVER 50% SEE WP-05/SP-05

— — — — —
LEGEND ON PLANS

Revision	By	Approved	Date	SAN DIEGO REGIONAL STANDARD DRAWING	RECOMMENDED BY THE SAN DIEGO REGIONAL STANDARDS COMMITTEE
ORIGINAL		J. Tomasulo	03/05	CUT-OFF WALL INSTALLATION IN TRAVELED AREAS	03/24/2022 Chairperson R.C.E. 52241 Date
Note 4	BK	B. KNOLL	04/15		
Reviewed	BK	B. KNOLL	10/18		
Reviewed	RP	S. Engeda	03/22		
				DRAWING NUMBER	SP-07



PLAN



ELEVATION

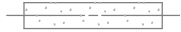
#4 BARS 18" ON CENTER #4 BARS 12" ON CENTER

ENCASEMENT SECTION

NOTES:

- 1) REFER TO AGENCY SPECIFICATIONS FOR PROTECTION OF EXISTING FACILITIES
- 2) ENCASEMENT SHALL EXTEND TO FIRST JOINT BEYOND BOTH SIDES OF TRENCH (24" MIN, 48" MAX OF SUITABLE NATIVE SUPPORT BEYOND EDGE OF TRENCH).
- 3) CONCRETE ENCASEMENT REQUIRED FOR SEWER MAINS ONLY. CALDER COUPLINGS REQUIRED FOR SEWER LATERALS ONLY. SEWER LATERALS TO BE REPLACED WITH SCH. 80 PVC WITH NO INTERMEDIATE JOINTS.
- 4) FOR PIPE BEDDING AND TRENCH BACKFILL SEE WP-02 OR SP-02.

LEGEND ON PLANS



Revision	By	Approved	Date
ORIGINAL		J. Tomasulo	03/05
Reviewed	BK	B. KNOLL	04/15
Reviewed	BK	B. KNOLL	10/18
Reviewed	RP	S. Engeda	03/22

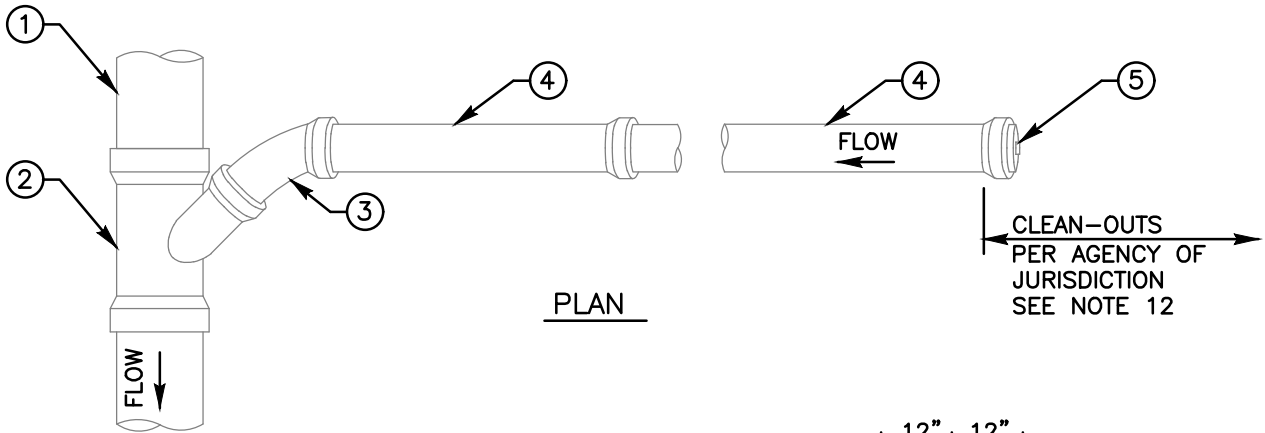
SAN DIEGO REGIONAL STANDARD DRAWING

**PIPE SUPPORT FOR UNDERCUT
SEWER MAINS OR SEWER LATERALS**

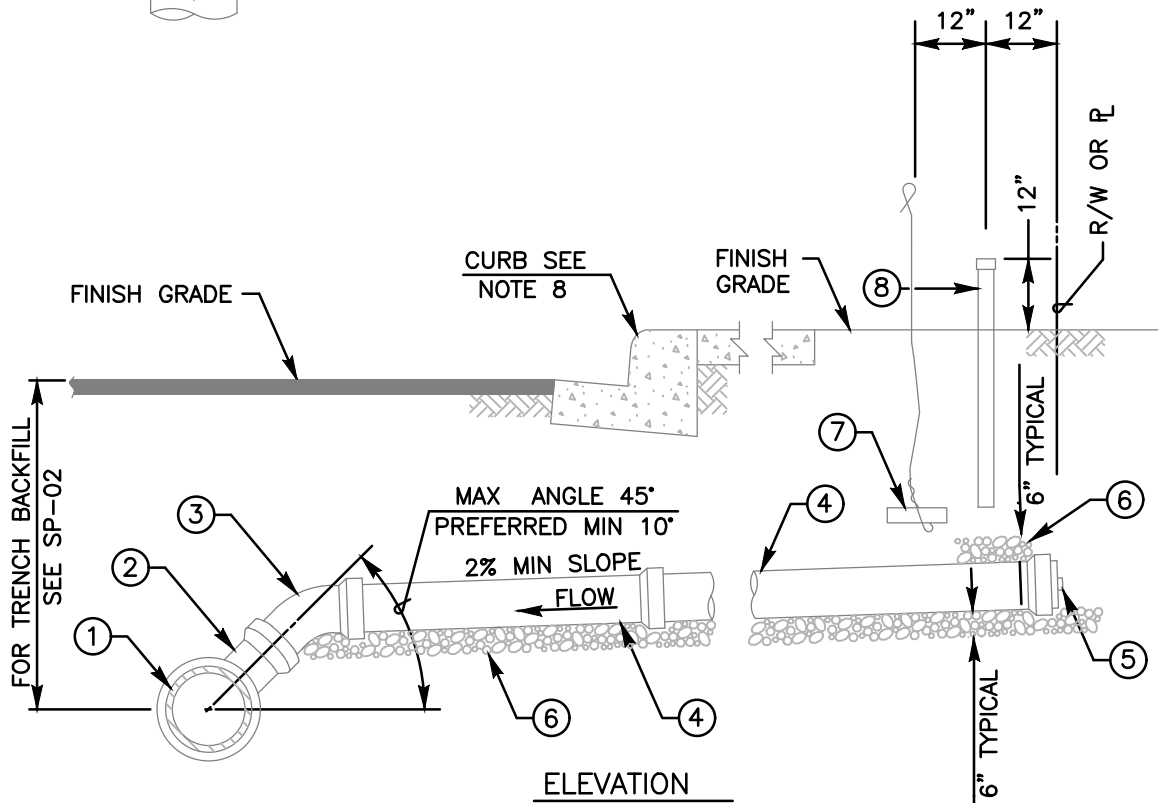
RECOMMENDED BY THE SAN DIEGO REGIONAL STANDARDS COMMITTEE

Samantha Engeda 03/24/2022
Chairperson R.C.E. 52241 Date

DRAWING NUMBER **SP-09**



PLAN



ELEVATION

(INDICATE SIZE)



LEGEND ON PLANS

FOR SEWER LATERAL NOTES SEE DETAIL SS-03

ITEM NO	SIZE AND DESCRIPTION	ITEM NO	SIZE AND DESCRIPTION
①	SEWER MAIN	⑤	PLUG OR CAP
②	45° WYE	⑥	3/4" MAXIMUM CRUSHED ROCK
③	45° ELBOW	⑦	#9 WIRE ATTACHED TO A BRICK
④	PIPE LATERAL SEE NOTE 3 & 5	⑧	4" PVC PIPE WITH GLUED CAP

Revision	By	Approved	Date
ORIGINAL		Kercheval	12/75
Reviewed	BK	B. KNOLL	04/15
Reviewed	BK	B. KNOLL	10/18
Reviewed	RP	S. Engeda	03/22

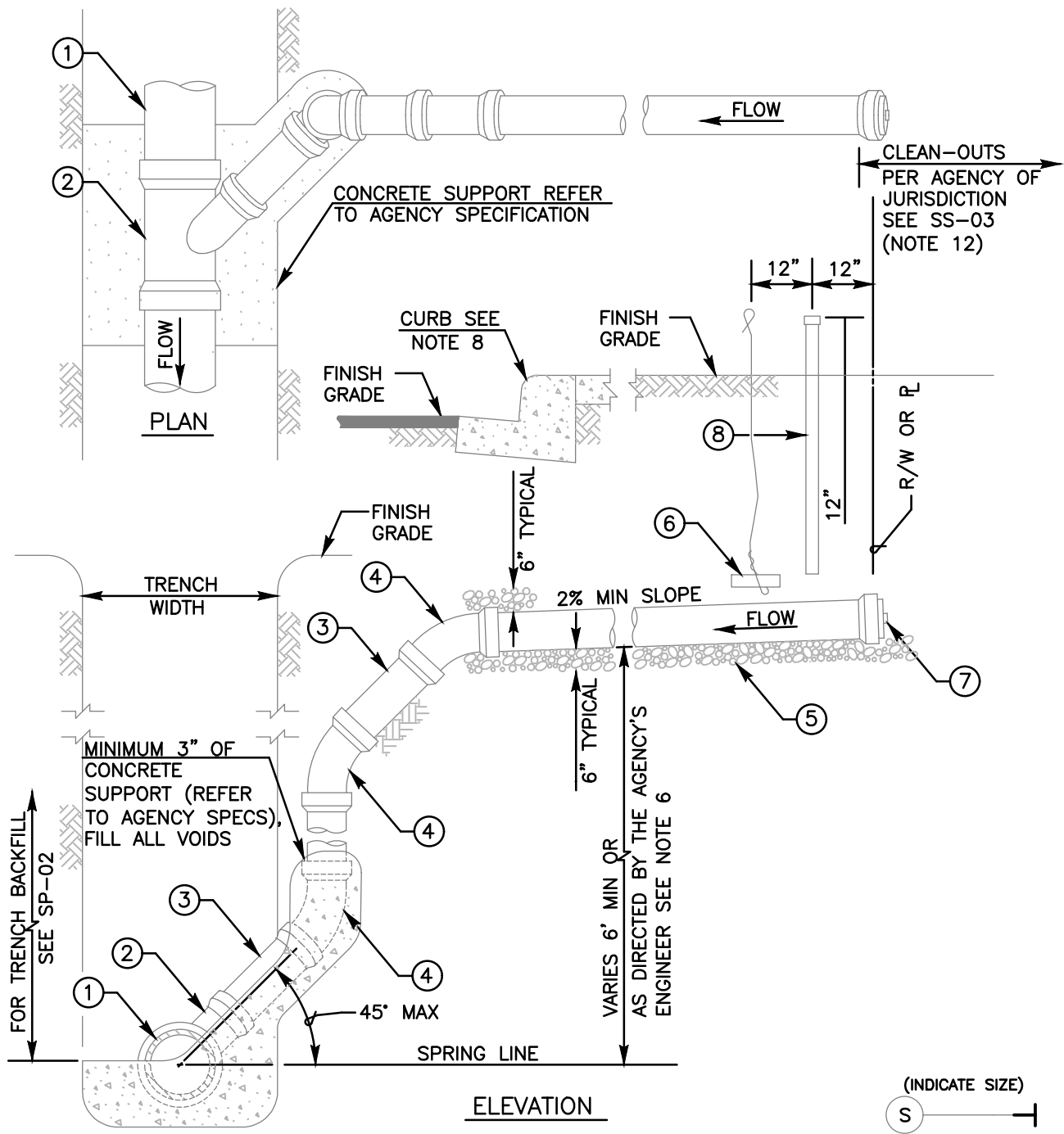
SAN DIEGO REGIONAL STANDARD DRAWING

**4" AND 6" SEWER LATERAL
INSTALLATION**

RECOMMENDED BY THE SAN DIEGO REGIONAL STANDARDS COMMITTEE

Samantha Engeda 03/24/2022
Chairperson R.C.E. 52241 Date

DRAWING NUMBER **SS-01**



ITEM NO	SIZE AND DESCRIPTION	ITEM NO	SIZE AND DESCRIPTION
①	SEWER MAIN	⑤	3/4" MAXIMUM CRUSHED ROCK
②	45° WYE	⑥	#9 WIRE ATTACHED TO A BRICK
③	PIPE	⑦	PLUG OR CAP
④	45° ELBOW	⑧	4" PVC PIPE WITH GLUED CAP

Revision	By	Approved	Date
ORIGINAL		Kercheval	12/75
Delete Metric	MR	B. KNOLL	03/11
Reviewed	BK	B. KNOLL	10/18
Reviewed	RP	S. Engeda	03/22

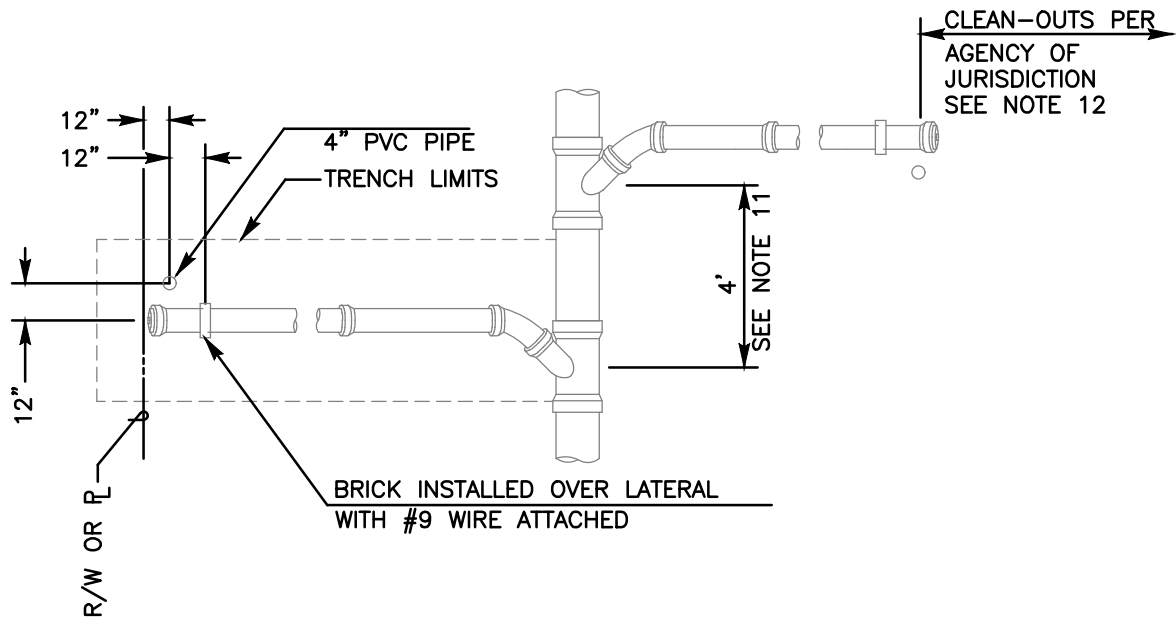
SAN DIEGO REGIONAL STANDARD DRAWING

**4" AND 6" DEEP-CUT SEWER LATERAL
INSTALLATION**

RECOMMENDED BY THE SAN DIEGO REGIONAL STANDARDS COMMITTEE

Saman Engeda 03/24/2022
Chairperson R.C.E. 52241 Date


DRAWING NUMBER SS-02




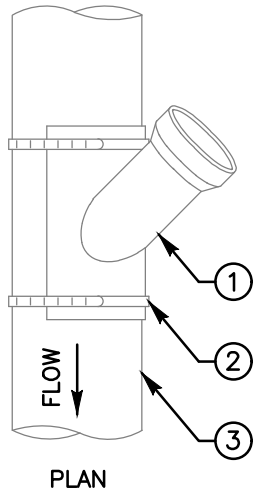
SEWER LATERAL DETAIL
SEE NOTE 10 BELOW

NOTES:

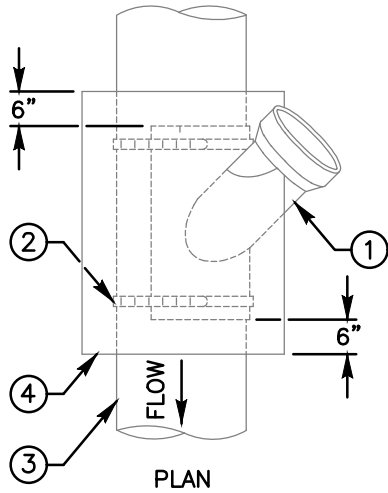
- 1) REFER TO AGENCY SPECIFICATIONS WHERE APPLICABLE
- 2) IN NO CASE SHALL LATERAL CONNECT DIRECTLY ON TOP OF SEWER MAIN
- 3) LATERAL SHALL BE INSTALLED TO PROPERTY LINE UNLESS SPECIFIED ON PLANS
- 4) MINIMUM 4' COVER ABOVE LATERAL AT PROPERTY LINE
- 5) LATERAL TO HAVE A MINIMUM SLOPE OF 2%
- 6) VERTICAL PIPE SHALL BE BRACED WHILE BACKFILLING TRENCH
- 7) INSTALL WARNING/IDENTIFICATION TAPE AS SHOWN ON SP-01
- 8) STAMP OR CHISEL A 2" HIGH "S" IN CURB FACE OVER LATERAL TO IDENTIFY SEWER LATERAL LOCATION
- 9) MATERIALS SHALL BE SELECTED FROM THE AGENCY'S APPROVED MATERIALS LIST
- 10) FOR SEWER LATERAL INSTALLATIONS SEE SS-01 AND SS-02
- 11) FOR SEWERS SPECIFIED AS PVC PIPE, A MINIMUM 3' SECTION OF PIPE IS REQUIRED BETWEEN FITTINGS
- 12) SEWER CLEAN-OUT SEE SC-01 TYPE B AS REQUIRED BY AGENCY OF JURISDICTION

(INDICATE SIZE)

 LEGEND ON PLANS

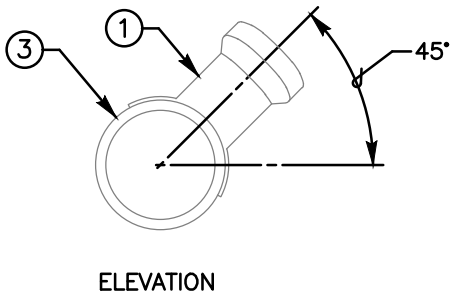
Revision	By	Approved	Date	SAN DIEGO REGIONAL STANDARD DRAWING		RECOMMENDED BY THE SAN DIEGO REGIONAL STANDARDS COMMITTEE
ORIGINAL		Kercheval	12/75	SEWER LATERAL NOTES AND DETAIL		 03/24/2022 Chairperson R.C.E. 52241 Date
Delete Metric	MR	B. KNOLL	03/11			
Reviewed	BK	B. KNOLL	10/18			
Reviewed	RP	S. Engeda	03/22			
				DRAWING NUMBER		SS-03



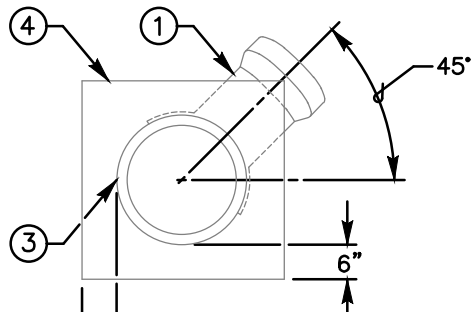
PLAN



PLAN



ELEVATION



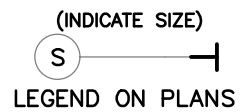
ELEVATION

CUT IN WYE CONNECTION
TYPE A

CUT IN WYE CONNECTION
TYPE B

NOTES:

- 1) REFER TO AGENCY SPECIFICATIONS WHERE APPLICABLE
- 2) CONNECTIONS TO EXISTING SEWER MAINS TO BE MADE BY AGENCY PERSONNEL IN ACCORDANCE WITH SPECIFICATIONS UNLESS OTHERWISE NOTED ON PLANS
- 3) IN NO CASE SHALL CONNECTION BE MADE DIRECTLY ON TOP OF SEWER MAIN
- 4) NO MORE THAN ONE CUT IN WYE WILL BE ALLOWED FOR EACH LENGTH OF EXISTING VCP SEWER MAIN
- 5) FOR SEWER LATERAL INSTALLATION SEE SS-01 AND SS-02
- 6) FOR TRENCH BACKFILL SEE SP-02
- 7) MATERIALS SHALL BE SELECTED FROM THE AGENCY'S APPROVED MATERIALS LIST



ITEM NO	SIZE AND DESCRIPTION	ITEM NO	SIZE AND DESCRIPTION
①	45° SADDLE WYE WITH GASKET	③	EXISTING SEWER MAIN
②	STAINLESS STEEL HOSE CLAMPS (2-EACH)	④	CONCRETE ENCASUREMENT

Revision	By	Approved	Date	SAN DIEGO REGIONAL STANDARD DRAWING	RECOMMENDED BY THE SAN DIEGO REGIONAL STANDARDS COMMITTEE
ORIGINAL		Kercheval	12/75		
Reviewed	BK	B. KNOLL	04/15	4" AND 6" SEWER CUT-IN WYE CONNECTIONS	<i>Saman Engeda</i> 03/24/2022
Reviewed	BK	B. KNOLL	10/18		Chairperson R.C.E. 52241 Date
Reviewed	RP	S. Engeda	03/22		DRAWING NUMBER SS-04